

### FEATURES

- Solenoid valves satisfy all relevant EC directives
- Minimum operating pressure differential 0.3 / 0.5 bar
- Interchangeability of magnetic heads, AC and DC

### GENERAL

<b>Differential pressure</b>	See "SPECIFICATIONS" (1 bar = 100 kPa)						
<b>Ambient temperature range</b>	-10°C to +60°C						
<b>Maximum viscosity</b>	40 cSt (mm²/s)						
<b>Response time (Air operation, ΔP = 6 bar)</b>	3/8	1/2	3/4	1	1 1/4	1 1/2	2
opening time (ms)	25	30	55	70	300	300	1500
closing time (ms)	40	90	110	200	1000	1000	2000

fluids (*)	temperature range (TS)	sealings (*)
DN ≤ 25: air, inert gas and water DN > 25: air and water	-10 to +85°C	NBR (nitrile / buna-n)

### MATERIALS IN CONTACT WITH FLUID

(\*) Ensure that the compatibility of the fluids in contact with the materials is verified

<b>Body</b>	Brass
<b>Internal parts</b>	Stainless steel and brass
<b>Springs</b>	Stainless steel
<b>Seals, diaphragm and disc</b>	NBR
<b>Shading coil</b>	Copper

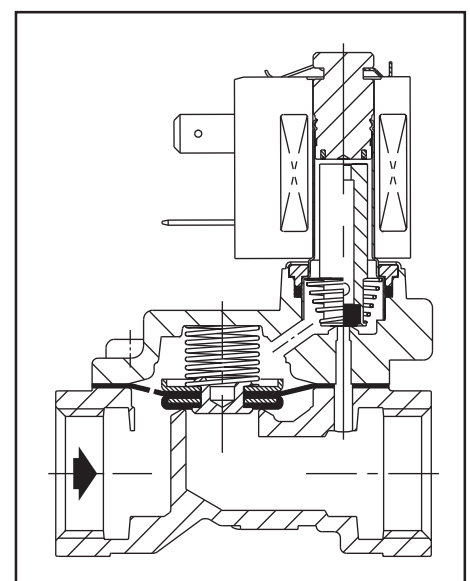
### ELECTRICAL CHARACTERISTICS

<b>Coil isolation class</b>	F
<b>Connector</b>	Spade plug
<b>Connector specification</b>	
for CM22-4W	3 x DIN 46244 (Pg 9P)
for CM25-5W / ANX	ISO 4400 (Pg 11P)
<b>Electrical safety</b>	VDE 0580
<b>Standard voltages</b>	DC (=): 24V
(Other voltages and 60 Hz on request)	AC (~): 24V - 115V - 230V / 50 Hz

coil type	nominal power ratings				ambient temperature range (TS) (°C)	protection
	inrush	holding		hot/cold		
	~ (VA)	~ (VA)	(W)	= (W)		
CM22-4W	12	6	4	5 / 6,9	-10 à +60	moulded IP65
CM25-5W	15	7	5	5 / 6,9	-10 à +60	
ANX	23	14	8	7,5 / 9,0	-10 à +50	

### SPECIFICATIONS

pipe size	orifice size (mm)	flow coefficient Kv (m³/h) (l/min)		operating pressure differential (bar)				coil type	catalogue number	OPTIONAL			
				maximum (PS)						NBR sealings	FPM	EPDM	
				min.	air (*)		water (*)						
					~	=	~						=
G* 3/8	12	2,4	40	0,3	10	10	10	10	CM22-4W	SC E238A001	V	E	
G* 3/8	12	2,4	40	0,3	16	16	16	16	CM25-5W	SC E238A006	V	E	
G* 1/2	12	2,4	40	0,3	10	10	10	10	CM22-4W	SC E238A002	V	E	
G* 1/2	12	2,4	40	0,3	16	16	16	16	CM25-5W	SC E238A007	V	E	
G* 1/2	15	4,2	70	0,3	10	10	10	10	CM22-4W	SC E238B003	V	E	
G* 1/2	15	4,2	70	0,3	16	16	16	16	CM25-5W	SC E238B008	V	E	
G* 3/4	20	6,6	110	0,3	10	10	10	10	CM22-4W	SC E238A004	V	E	
G* 3/4	20	6,6	110	0,3	16	16	16	16	CM25-5W	SC E238A009	V	E	
G* 1	25	9,9	165	0,3	10	10	10	10	CM22-4W	SC E238A005	V	E	
G* 1	25	9,9	165	0,3	16	16	16	16	CM25-5W	SC E238A010	V	E	
G 1 1/4	30	15	250	0,5	10	10	10	10	ANX	SC G238C016	V	-	
G 1 1/2	45	27	450	0,5	10	10	10	10	ANX	SC G238C017	V	-	
G 2	45	34	566	0,5	10	10	10	10	ANX	SC G238C018	V	-	



### OPTIONS

- Valves can also be supplied with FPM (fluorelastomer / viton), EPDM (ethylene-propylene) sealings, diaphragm and disc. Use the appropriate optional suffix letter for identification
- Manual operator, suffix **MO**  
**Versions 3/8 to 1:**
- Explosionproof EEx **m** coil for hazardous areas **ATEX/CENELEC** (only for versions with coil CM22-4W); see V1040 (section 10)
- Compliance with "**UL**" and "**CSA**" standards (catalogue numbers A001/A002/B003/A004/A005 only, optional)
- Magnetic latch execution for CM22 coil type only; see V910-10 (Section 9/10)
- All versions:**
- Connectors with built-in indicator and electrical protection or prewired with cable length 2 m (see section 11)

### INSTALLATION

- Solenoid valves can be mounted in any position without affecting operation
- Pipe connections (**G\***) have standard combination thread according to ISO 228/1 and ISO 7/1. Pipe connections (**G**) have standard combination thread according to ISO 228/1
- The third digit in the catalogue number indicates the standard pipe connection: E= ISO 228/1 and ISO 7/1
- Other pipe connections are available on request
- Installation/maintenance instructions are included with each valve
- Spare parts kits and replacement coils are available (see section 11)

### DIMENSIONS (mm), WEIGHT (kg)

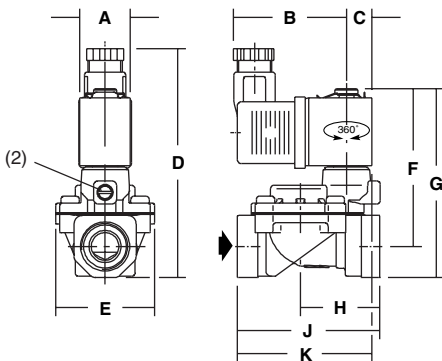


Fig. 1

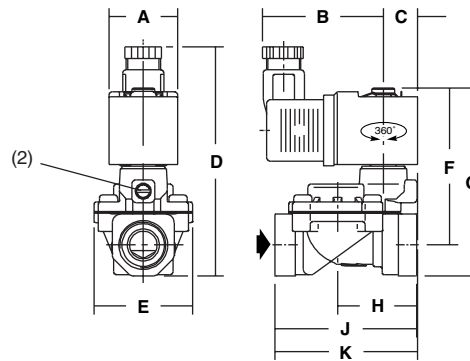


Fig. 2

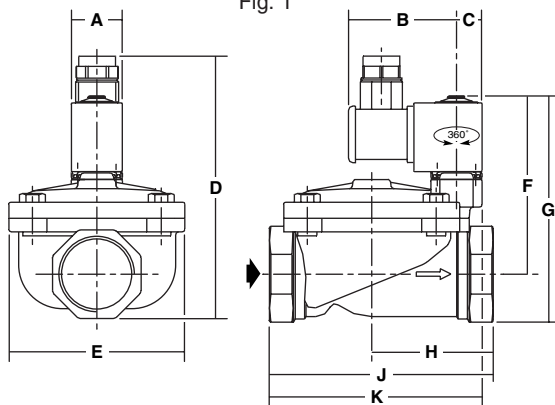


Fig. 3

catalogue number	Ø	A	B	C	D	E	F	G	H	J	K	weight (1)	(C)
SC E238A001	3/8	22	49	11	95	43	68,5	82	34,5	62	58,5	0,4	fig. 1
SC E238A002	1/2	22	49	11	95	43	68,5	82	34,5	62	58,5	0,4	
<b>SC E238B003</b>	<b>1/2</b>	<b>22</b>	<b>49</b>	<b>11</b>	<b>97</b>	<b>57</b>	<b>71</b>	<b>84,5</b>	<b>45,5</b>	<b>81,5</b>	<b>74,5</b>	<b>0,5</b>	
SC E238A004	3/4	22	49	11	108	68	79,5	95,5	53	95	86,5	0,8	
SC E238A005	1	22	49	11	118	87	84,5	105	58	105,5	94	1,0	
SC E238A006	3/8	30	57	15	96,5	43	68,5	82	34,5	62	62,5	0,5	fig. 2
SC E238A007	1/2	30	57	15	96,5	43	68,5	82	34,5	62	62,5	0,5	
<b>SC E238B008</b>	<b>1/2</b>	<b>30</b>	<b>57</b>	<b>15</b>	<b>99</b>	<b>57</b>	<b>71</b>	<b>84,5</b>	<b>45,5</b>	<b>81,5</b>	<b>78,5</b>	<b>0,6</b>	
<b>SC E238A009</b>	<b>3/4</b>	<b>30</b>	<b>57</b>	<b>15</b>	<b>110</b>	<b>68</b>	<b>79,5</b>	<b>95,5</b>	<b>53</b>	<b>95</b>	<b>90,5</b>	<b>0,9</b>	
SC E238A010	1	30	57	15	119,5	87	84,5	105	58	105,5	98	1,1	
SC G238C016	1 1/4	30	57	20	148	81	107 (3)	133 (3)	63	113	106	1,7	fig. 3
SC G238C017	1 1/2	30	57	20	155	110	110 (3)	140 (3)	80	140	129	2,6	
SC G238C018	2	30	57	20	166	110	115 (3)	151 (3)	85	157	129	3,1	

(1) Incl. coil and connector (2) Manual operated (option) (3) Manual operated, added +23 mm (C) Construction type

All leaflets are available on: [www.ascojoucomatic.com](http://www.ascojoucomatic.com)