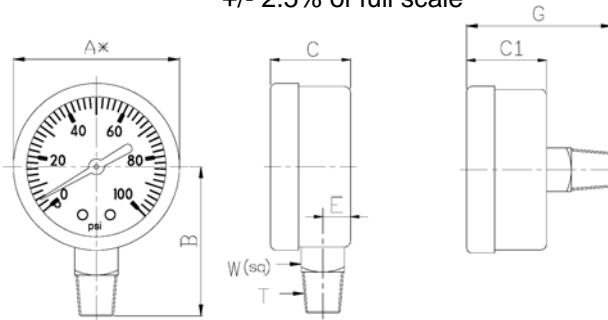


# General Purpose Pressure Gauge: Steel Case

## Model 121

<b>Case and bezel material:</b>	Black painted steel
<b>Connection:</b>	Copper alloy
<b>Bourdon tube material:</b>	Copper alloy
<b>Working temperature:</b>	Ambient = -20~60° C, Process = +70° C
<b>Dial:</b>	Black print kPa, red print PSI (80 & 100 mm kPa only) on white background
<b>Ranges:</b>	-100~0 kPa to dual scale 0~6000 kPa/PSI (80 & 100 mm single scale kPa)
<b>Connection:</b>	¼" BSPT, (100 mm is 3/8" BSPT)
<b>Window:</b>	Polycarbonate, (80 & 100 mm is glass)
<b>Surge protection:</b>	Available on request
<b>Movement:</b>	Copper alloy
<b>Pointer:</b>	Aluminium black finish
<b>Accuracy:</b>	+/- 2.5% of full scale



Dimensions in mm

	A *	B	C	C1	E	G	T
50	52.8	45.6	26.4	26.4	9.3	48.5	1/4" BSPT
63	63.2	53.6	29.8	30.0	9.8	52.1	1/4" BSPT
80	77.0	68.2	34.6	32.8	13.0	54.0	1/4" BSPT
100	100.5	80.5	35.5		13.1		3/8" BSPT

Size	50mm		63mm		80mm		100mm	Accessories
Range (in kPa)	Lower Mount P/N	Centre Back Mount P/N	Lower Mount P/N	Centre Back Mount P/N	Lower Mount P/N	Centre Back Mount P/N	Lower Mount P/N	
-100-0			1612510	1613501 5	1616500		1618000	63mm glass lens
-100/+150							1618050	P/N 1619950
-100/+1600							1618055	
0-100			1612530	1613541 5				Restrictor 0.46mm P/N 1619915
0-250			1612600	1613560	1616600		1618100	
0-400	1611152 1		1612730		1616650		1618150	Restrictor 0.46mm P/N 1619915
0-600			1612740					
0-800	1611261 3		1612750		1616700		1618200	
0-1000	1611300 2	1612311 4	1612770	1613580	1616750		1618250	100mm back flange P/N 1619700
0-1600	1611352	1612402	1612810	1613590	1616800 7	1617530 7	1618300	
0-2500			1612850	1613596 6	1616850 7	1617550	1618350 8	
0-4000			1613150	1613600	1616900		1618400	
0-6000			1613200	1613620				
0-8000	1611800 1							
0-16000	1611900 1							
0-25000	1611940 1							
<b>Weight gms</b>	115	120	146	205	285	225	400	

### Legend

1. Safety pattern case model 512
2. Available in safety pattern P/N 1611301
3. Available in 1/8" BSPT P/N 1611260
4. Supplied with 1/8" BSPT
5. Supplied with stainless steel case and front flange model 414
6. Supplied with ½" BSPT
7. Supplied with red line at 970 kPa
8. Available with ½" BSPT PN 1618350

Revision: 0605