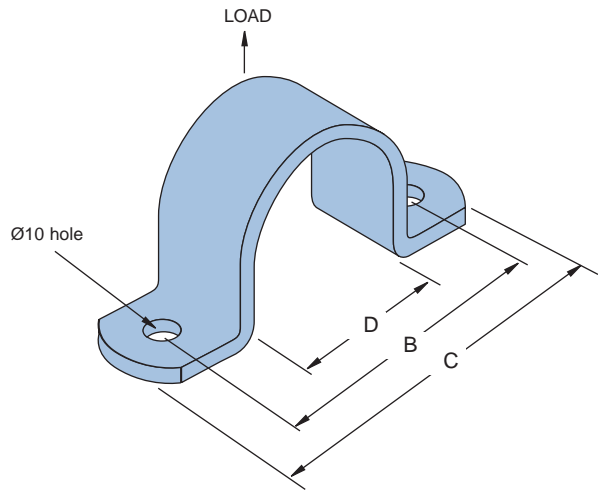


Pipe Clamps - Light Duty

UN4 Saddle Clamp

Part No.	Dimensions			Mass kg
	D	B	C	
UN4-016	16	56	80	0.04
UN4-019	19	59	83	0.04
UN4-021	21	61	85	0.05
UN4-025	25	65	89	0.06
UN4-027	27	67	91	0.07
UN4-032	32	72	96	0.07
UN4-034	34	74	98	0.08
UN4-038	38	78	102	0.08
UN4-043	43	83	107	0.08
UN4-048	48	88	112	0.09
UN4-051	51	91	115	0.09
UN4-060	60	100	124	0.12
UN4-064	64	104	128	0.12
UN4-073	73	113	137	0.12
UN4-076	76	116	140	0.14
UN4-089	89	129	153	0.16
UN4-095	95	135	159	0.17
UN4-102	102	142	166	0.18
UN4-114	114	154	178	0.18
UN4-127	127	167	191	0.20
UN4-140	140	180	204	0.20
UN4-152	152	192	216	0.20
UN4-165	165	205	229	0.24
UN4-170	170	210	234	0.25
UN4-190	190	230	254	0.28



Note:

Standard Finish: Hot Dipped Galvanised

Material: 25 x 3

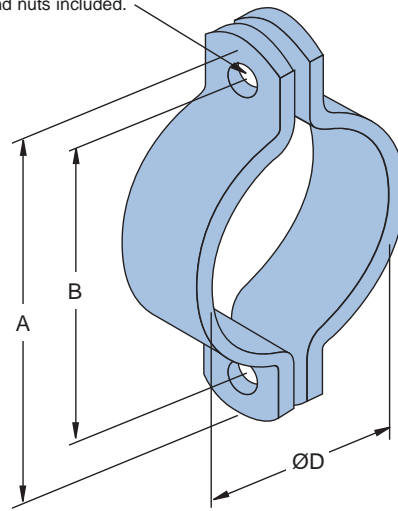
Working Load: 0.75 kN

Safety Factor: 2.5

UN6 - Two-Piece Pipe Clamp

Part No.	ØD	Dimensions		Mass kg
		A	B	
UN6-019	19	83	59	0.10
UN6-021	21	85	61	0.10
UN6-025	25	89	65	0.11
UN6-027	27	91	67	0.11
UN6-032	32	96	72	0.14
UN6-034	34	98	74	0.14
UN6-038	38	102	78	0.15
UN6-043	43	107	83	0.15
UN6-048	48	112	88	0.15
UN6-051	51	115	91	0.15
UN6-060	60	124	100	0.15
UN6-064	64	128	104	0.19
UN6-073	73	137	113	0.19
UN6-076	76	140	116	0.19
UN6-089	89	153	129	0.21
UN6-102	102	166	142	0.23
UN6-114	114	178	154	0.26
UN6-127	127	191	167	0.28
UN6-140	140	204	180	0.31
UN6-152	152	216	192	0.33
UN6-165	165	229	205	0.37

Ø10 holes for M8 x 30 bolts.
Bolts and nuts included.



Note:

Standard Finish: Hot Dipped Galvanised

Material: 25 x 3

Working Load: 2.88 kN

Safety Factor: 2.5