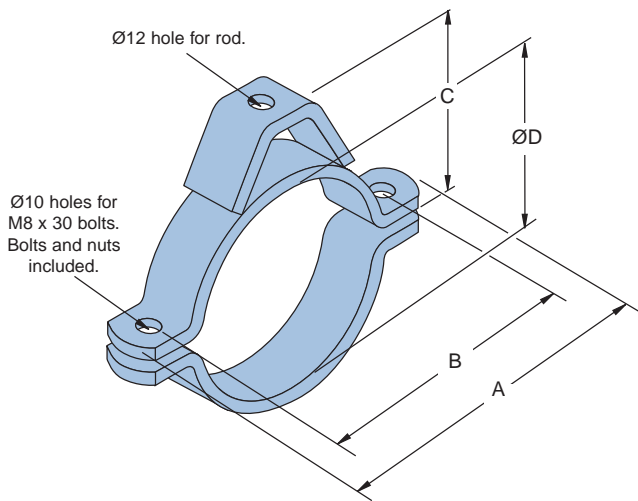


Pipe Clamps - Light Duty



UN8 - Two-Piece Clamp with Yoke

Part No.	Dimensions			Mass kg	
	ØD	A	B		
UN8-019	19	83	59	47	0.17
UN8-021	21	85	61	47	0.17
UN8-025	25	89	65	47	0.19
UN8-027	27	91	67	47	0.19
UN8-032	32	96	72	52	0.19
UN8-034	34	98	74	54	0.20
UN8-038	38	102	78	56	0.21
UN8-043	43	107	83	60	0.21
UN8-048	48	112	88	63	0.21
UN8-051	51	115	91	65	0.21
UN8-060	60	124	100	70	0.21
UN8-064	64	128	104	72	0.26
UN8-073	73	137	113	77	0.27
UN8-076	76	140	116	79	0.28
UN8-089	89	153	129	86	0.30
UN8-102	102	166	142	93	0.31
UN8-114	114	178	154	99	0.34
UN8-127	127	191	167	105	0.37
UN8-140	140	204	180	112	0.38
UN8-152	152	216	192	118	0.41
UN8-165	165	229	203	125	0.44

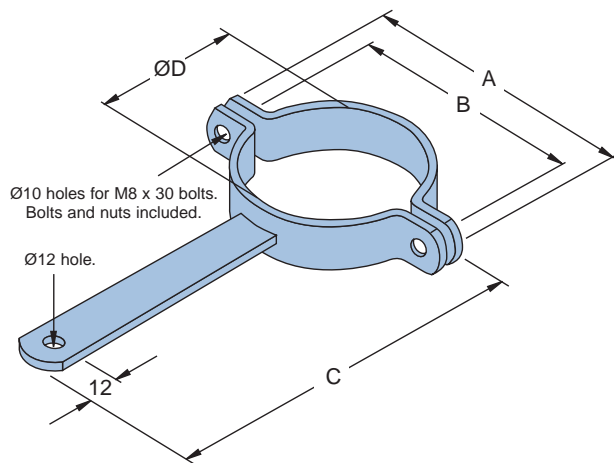
Note:

Standard Finish: Hot Dipped Galvanised

Material: 25 x 3

Working Load: 0.38 kN

Safety Factor: 2.5



UN9 - Stand-Off Bracket

Part No.	Dimensions			Mass kg	
	ØD	A	B		
UN9-021	21	85	61	164	0.20
UN9-027	27	91	67	166	0.20
UN9-034	34	98	74	170	0.21
UN9-043	43	107	83	174	0.23
UN9-048	48	112	88	177	0.26
UN9-060	60	124	100	183	0.30
UN9-076	76	140	116	191	0.28
UN9-089	89	153	129	197	0.32
UN9-114	114	178	154	210	0.33
UN9-140	140	204	180	223	0.38
UN9-165	165	229	203	235	0.44

Note:

Standard Finish: Hot Dipped Galvanised

Material: 25 x 3

Working Load: 0.38 kN

Safety Factor: 2.5