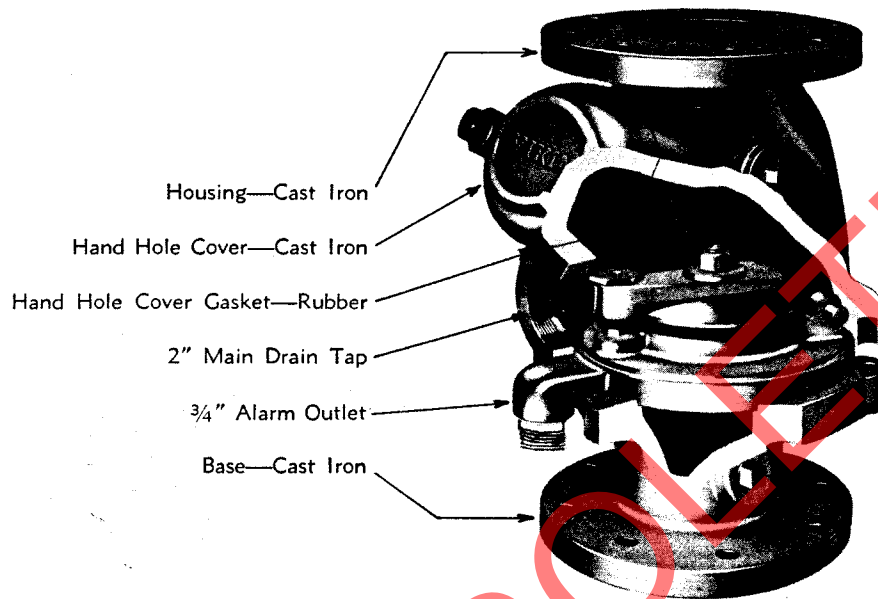


VIKING ALARM VALVE

Model E 2½", 4", 6" and 8" Sizes

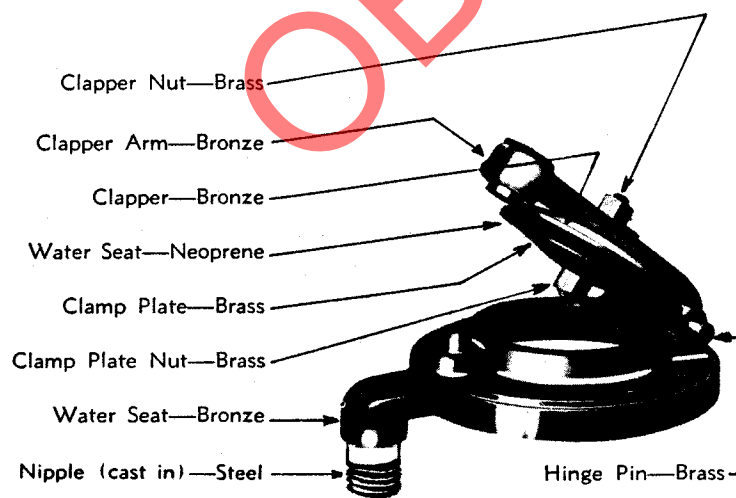
Manufactured 1955—

UL Listed UL of C Listed Guide No. 2275 F.M. Approved
--

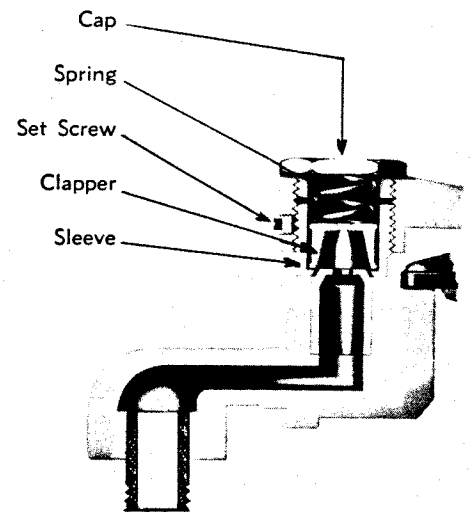


Rated Working Pressure
175 psi

All valves are factory tested to 350 psi hydrostatic pressure



Valve Member Assembly



Auxiliary Valve Details

For Vertical or Horizontal Installation