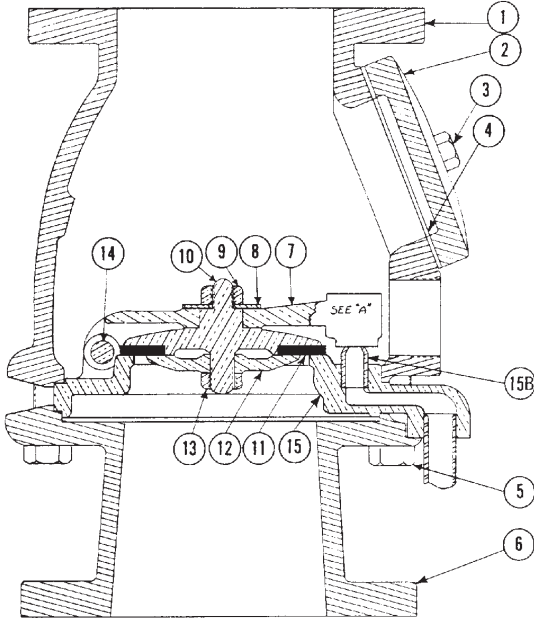




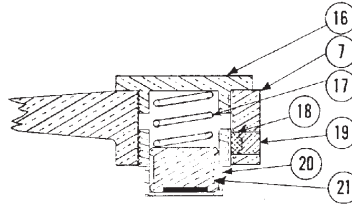
REPLACEMENT PARTS

**WET PIPE
ALARM VALVE
MODEL E**

Manufactured
 2-1/2" 1950 - 1976
 4" 1950 - 1973
 6" 1954 - 1971
 8" 1950 - 1970



"A"
Auxiliary Valve



VALVE TAKE-OUT

2-1/2" -- 12"
 4" -- 16 1/4"
 6" -- 17"
 8" -- 17 1/2"



Auxiliary Valve
Setting Tool
Part Number 02039B

ITEM NO.	PART NUMBERS				DESCRIPTION	MATERIAL	NO. REQ'D.
	2-1/2"	4"	6"	8"			
1	--	--	--	--	Housing	Gray Cast Iron	1
2	--	--	--	--	Hand Hole Cover	Gray Cast Iron	1
3	--	--	--	--	Hex Head Screw	Steel	2
4	02524A	04388A	02238A	02238A	Hand Hole Gasket	Rubber Fabric Insert	1
5	--	--	--	--	Hex Head Screw , 5/8-11 x 2 Lg.	Steel	8
6	--	--	--	--	Base	Gray Cast Iron	1
7	--	--	--	--	Clapper Arm	Cast Bronze	1
8	--	--	--	--	Washer	Brass	1
9	--	--	--	--	Nut, Self-Locking, 5/8-11	Brass	1
10	--	--	--	--	Clapper Arm	Cast Bronze	1
11	03273A	03270A	03271A	03272A	Water Seat Rubber	Neoprene	1
12	--	--	--	--	Clamp Plate	Bronze	1
13	--	--	--	--	Nut, Self Locking, 5/8-11	Brass	1
14	--	--	--	--	Hinge Pin	Brass	1
15	--	--	--	--	Water Seat Assembly	Bronze	1
15B	--	--	--	--	Auxiliary Valve Seat	Brass	1
16	01240A	01240A	01240A	01240A	Auxiliary Valve Cap	Brass	1
17	01239A	01239A	01239A	01239A	Auxiliary Valve Spring	Brass	1
18	01238A	01238A	01238A	01238A	Ball, Nylon	Nylon	1
19	01274A	01274A	01274A	01274A	Cup Point Set Screw , Soc. Set 3/8-16 x 3/8 Lg.	Brass	1
20	01237A	01237A	01237A	01237A	Auxiliary Valve Sleeve	Brass	1
21	01236A	01236A	01236A	01236A	Auxiliary Valve Clapper*	Brush Neoprene	1

-- Indicates replacement part is not available
 *The Auxiliary Valve Clapper is used on Models B, C, E, F & G