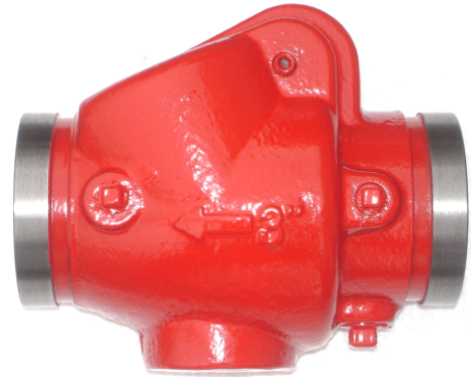


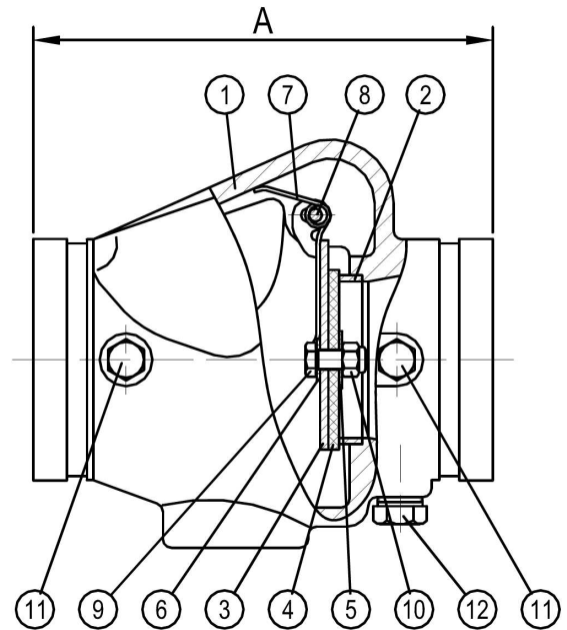
300PSI VCG01 Grooved-End Swing Check Valve

- Installed in both Horizontal or Vertical Line with Upward Flow
- Easier and Faster to Maintain and Install
- Low Pressure Drop
- EPDM non-stick leak tight sealing
- All Stainless Steel Wetted Parts to Provide Superior Corrosion Resistance
- FM Approved & UL/ULC Pending



Material Specifications

| PART | SPECIFICATION |
|-------------------|-------------------------|
| 1. Body | Ductile Iron ASTM A 536 |
| 2. Seat | Bronze |
| 3. Clapper | Stainless Steel 304 |
| 4. Facing Seal | EPDM Rubber |
| 5. Clamping Ring | Stainless Steel 304 |
| 6. Gasket | EPDM Rubber |
| 7. Spring | Stainless Steel 302 |
| 8. Hinge Pin | Stainless Steel 303 |
| 9. Bolt | Stainless Steel 304 |
| 10. Locknut | Stainless Steel 303 |
| 11. Plug 1/4" NPT | Carbon Steel |
| 12. Plug 1/2" NPT | Carbon Steel |



Dimension

| Part Number | size | | OD | | A | | Weight | |
|-------------|----------|-----|-------|-------|-----|-----|--------|--|
| | In. | mm | mm | In. | mm | lbs | kg | |
| VCG01-073 | 2 1/2 | 65 | 73.0 | 7.20 | 183 | 11 | 5 | |
| VCG01-076 | 3OD | 65 | 76.1 | 7.20 | 183 | 11 | 5 | |
| VCG01-089 | 3 | 80 | 88.9 | 7.80 | 198 | 13 | 6 | |
| VCG01-114 | 4 | 100 | 114.3 | 8.58 | 218 | 20 | 9 | |
| VCG01-165 | 6 1/2 OD | 150 | 165.1 | 10.63 | 270 | 40 | 18 | |
| VCG01-168 | 6 | 150 | 168.3 | 10.63 | 270 | 40 | 18 | |
| VCG01-219 | 8 | 200 | 219.1 | 12.80 | 325 | 73 | 33 | |



Check Valve Performance Date

Formulas for C_v Values

$$\Delta P = \frac{Q^2}{C_v^2}$$

$$Q = C_v \times \sqrt{\Delta P}$$

Where: Q = Flow rate (gallons per minute: GPM)

ΔP = Pressure drop across valve (PSI)

C_v = Flow coefficient

| Nominal Size | | Pipe O.D. | Cv (Full Open) | Nominal Size | | Pipe O.D. | Cv (Full Open) | Nominal Size | | Pipe O.D. | Cv (Full Open) |
|--------------|----|-----------|----------------|--------------|-----|-----------|----------------|--------------|-----|-----------|----------------|
| In. | mm | mm | | In. | mm | mm | | In. | mm | mm | |
| 2 1/2 | 65 | 73.0 | 140 | 4 | 100 | 114.3 | 390 | 8 | 200 | 219.1 | 1800 |
| 3OD | 65 | 76.1 | 140 | 6 1/2 OD | 150 | 165.1 | 1000 | | | | |
| 3 | 80 | 88.9 | 250 | 6 | 150 | 168.3 | 1000 | | | | |

